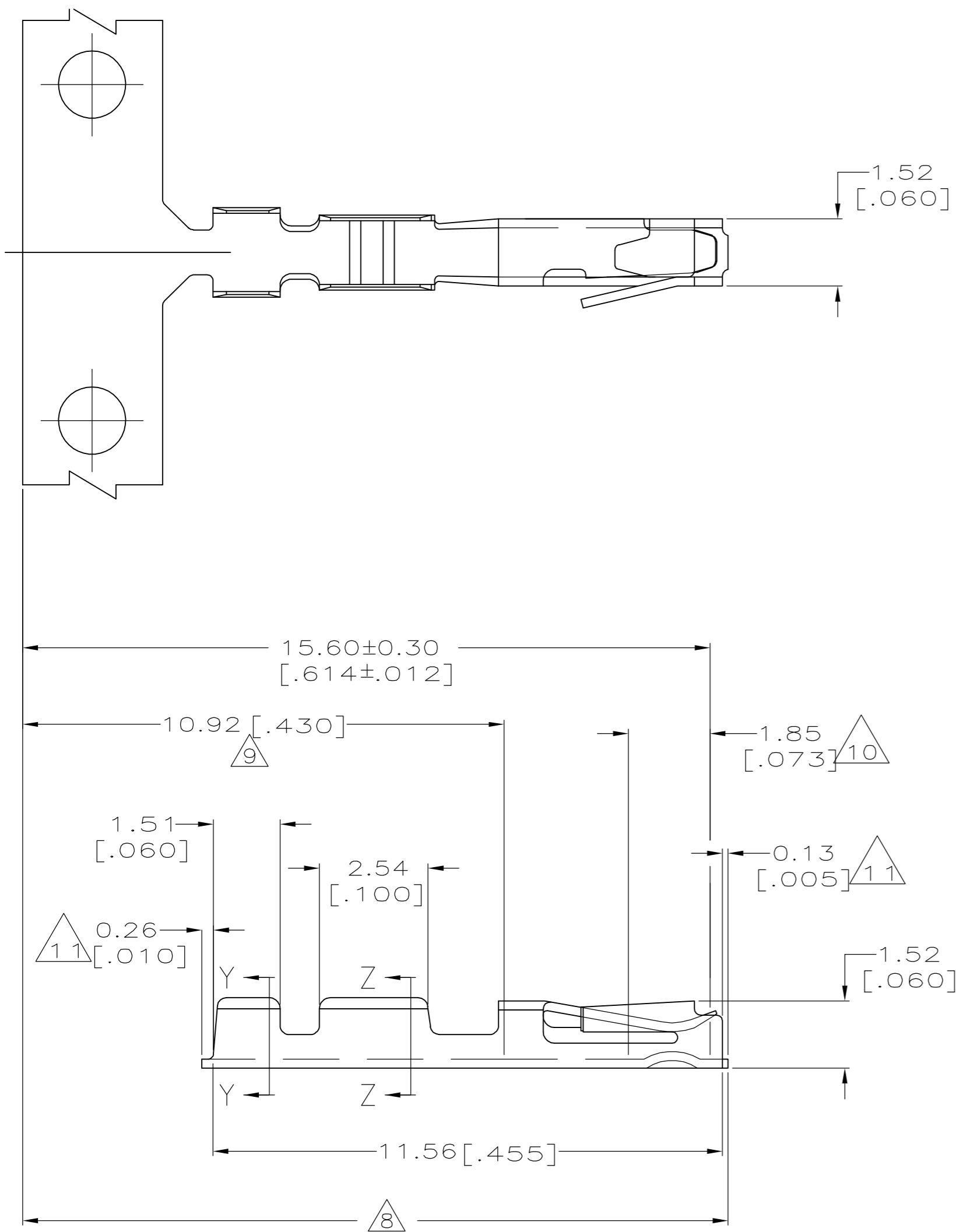
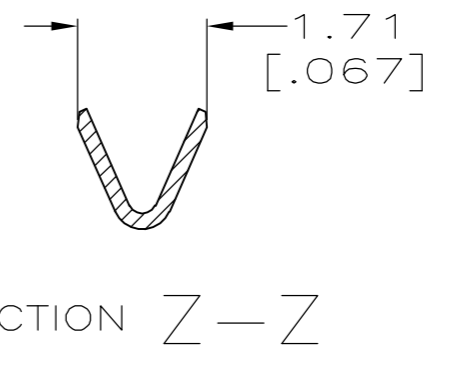
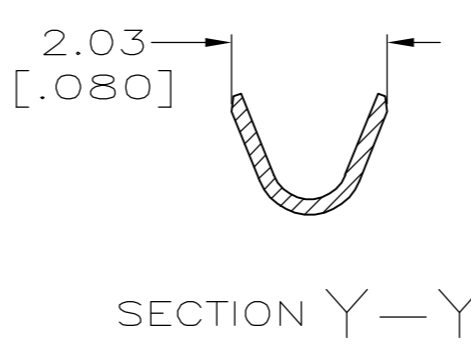


THIS DRAWING IS UNPUBLISHED. RELEASED FOR PUBLICATION  
 © COPYRIGHT BY TYCO ELECTRONICS CORPORATION. ALL RIGHTS RESERVED.

LOC	DIST	REVISIONS			
P	LTR	DESCRIPTION	DATE	DWN	APVD
AA	00	S	ECO-06-009878	27JULY06	LAM AWF



1. WIRE RANGE 22-26 AWG.
2. INSULATION RANGE 0.91-1.37 [.036-.054] DIA.
3. 0.00254 [.000100] MIN TIN-LEAD OVER 0.000762 [.000030] MIN NICKEL.
4. PREPLATED 0.00127 [.000050] MIN TIN-LEAD IN ZONES I & II, 0.000762 [.000030] MIN GOLD OVER 0.000762 [.000030] MIN NICKEL INLAY IN ZONE III.
5. PREPLATED 0.00127 [.000050] MIN TIN-LEAD IN ZONES I & II, 0.00127 [.000050] MIN GOLD OVER 0.000762 [.000030] MIN NICKEL INLAY IN ZONE III.
6. PHOSPHOR BRONZE.
7. PREPLATED 0.00127 [.000050] MIN TIN IN ZONES I & II, 0.00127 [.000050] MIN GOLD OVER 0.000762 [.000030] MIN NICKEL INLAY IN ZONE III.
8. ZONE I (OUTSIDE SURFACES).
9. ZONE II (INSIDE SURFACES).
10. ZONE III (INSIDE SURFACES).
11. MAXIMUM CUTOFF.



	FINISH	LOOSE PIECE PART NO	STRIP PART NO
	7	-	9-530553-0
OBSOLETE		530553-9	530553-8
	5	530553-7	530553-6
OBSOLETE	4	530553-5	530553-4
	3	530553-3	530553-2

THIS DRAWING IS A CONTROLLED DOCUMENT.		DWN B. HAYMAKER 08JAN99	Tyco Electronics Corporation Harrisburg, PA 17105-3608	
DIMENSIONS: mm	TOLERANCES UNLESS OTHERWISE SPECIFIED:	CHK S. BOLASH 08JAN99	NAME S. BOLASH 08JAN99	
	0 PLC ± -	APVD S. BOLASH 08JAN99	PRODUCT SPEC 108-25031	
	1 PLC ± -		APPLICATION SPEC 114-25021	
	2 PLC ± -		SIZE A2	CAGE CODE 00779
	3 PLC ± 0.13[.005]		DRAWING NO C=530553	
	4 PLC ± -		RESTRICTED TO -	
	ANGLES ± -		SCALE 4:1	
MATERIAL 6	FINISH 3 4 5 7	WEIGHT -	SHEET 1 of 1	
CUSTOMER DRAWING		REV S		

5305530553